



IH 200



Incremental Hollow Shaft Encoder

CHARACTERISTICS

- Housing 200 mm
- Heavy Duty Design and big Bore Diameter
- Shaft Bore Diameter from 100 to 125 mm
- all Resolutions from 1 to 25.000 ppr
- Supply Voltage 4.75 to 30 VDC

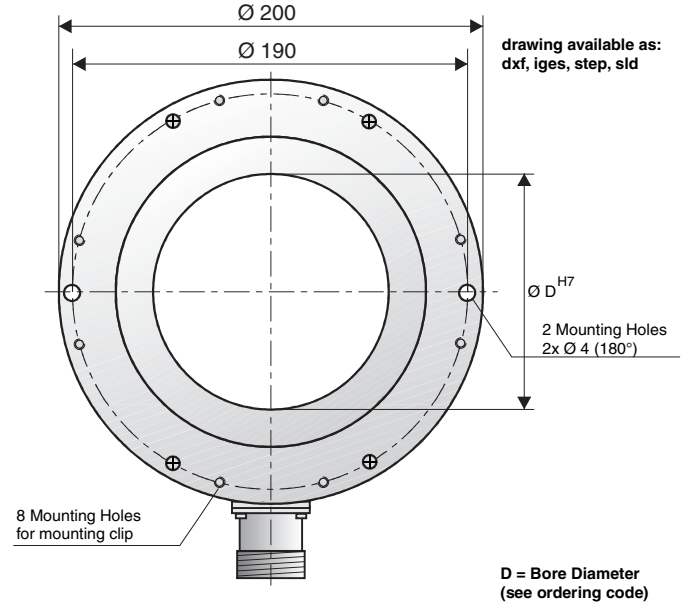
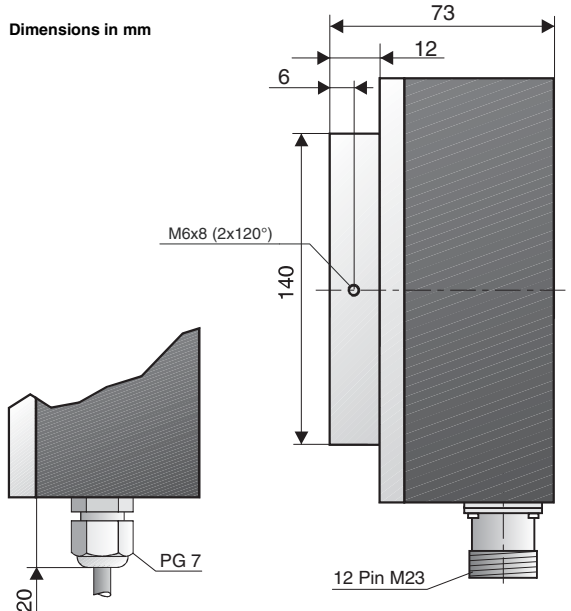
MECHANICAL SPECIFICATIONS

Cover & Body	Aluminum
Shaft	Stainless Steel
max. Speed	4000 RPM
Mass moment of inertia	$320 \cdot 10^{-6} \text{ kgm}^2$ (Bore Sizes $D=100\text{mm}$) $285 \cdot 10^{-6} \text{ kgm}^2$ (Bore Sizes $D=125\text{mm}$)
Starting Torque (at 25°C)	> 0.2 Nm
max. Loading on Shaft	Axial 60 N, Radial 80 N
Shock resistance (6 ms)	$\leq 1000 \text{ m/s}^2$
Vibration resistance (55 - 2000 Hz)	$\leq 200 \text{ m/s}^2$ (Cable) $\leq 100 \text{ m/s}^2$ (Plug)
Protection Rate (DIN EN 60529)	IP 65
Operating Temperature	-20° C to +70° C
Weight	ca. 3 kg



DIMENSIONS

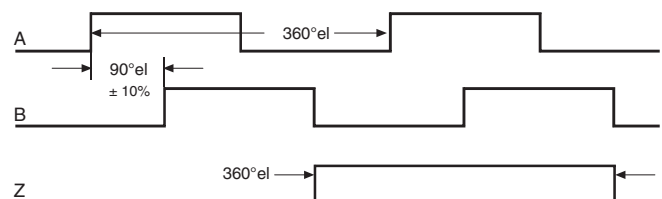
Dimensions in mm



ELECTRICAL SPECIFICATIONS

Supply Voltage	4.75 - 30 VDC
Current Consumption (no load)	max. 40 mA
Output Circuit	Push-Pull, TTL, RS 422A compatible
Pulse frequency	max. 300 kHz
Signal Level (high)	Vcc - 0.7 Volt
Signal Level (low)	max. 0.25 Volt
Short Circuit Protection	100%
Reverse polarity protection per channel	100%
ESD (DIN EN 61000-4-2)	8kV
Burst (DIN EN 61000-4-4)	2 kV

SIGNALS



A leads B in the Clockwise Direction (facing shaft)
Complementary Signals are also available (see ordering code)



CONNECTIONS

Function	Cable Code	12 Pin M23 Plug	9 Pin Sub-D Plug	10 Pin Mil Plug C3102
GND	white	01	01	F
Vcc	brown	02	02	D
A	green	03	03	A
B	yellow	04	04	B
Z	grey	05	05	C
\bar{A}	pink	06	06	H
\bar{B}	blue	07	07	I
\bar{Z}	red	08	08	J

ORDERING CODE

IH
200
-

-

-
Sxxx*

a b c d e f g h

Resolution from 1 to 25.000 ppr available

a Group Function
IH = Incremental Hollow Shaft

b Basic Series Number
200

c Bore Diameter D
selectable from 100 to 125 mm
100 = 100 mm, 110 = 110 mm, 125 = 125 mm

d Mechanical Option
0 = None

e Connection Type
0 = 2 m Cable , 7 = 12 Pin M23 Plug
6 = 9 Pin Sub-D Plug
6 = 10 Pin Mil Plug

f Connection Location
R = Radial

g Output Signals
3 = A + B + Z
6 = A + B + Z + \bar{A} + \bar{B} + \bar{Z}

h Output Circuit Type / Supply Voltage
1 = TTL 5 VDC
3 = Push-Pull 4.75 to 30 VDC
5 = Push-Pull 8 to 30 VDC

*** Notes:**

Any special functions and design will be designated by a 4 digit code (Sxxx) at the end of the part number. Consult our Office for your region for further details. If this encoder does not fit your need please also consult us for help.

FURTHER INFORMATION

Accessories:

Corresponding accessories, such as couplings, measuring wheels, display modules, extension cables etc., for this encoder can be found on our homepage www.globalencoder.com under „Accessories“.

