

IPHJ Series

Incremental Hollow Shaft Encoder IP66/67

Maximum Increments 5,000

Hole Diameter Range 10 to 20mm

MECHANICAL SPECIFICATIONS

RPM Max. 3000
 Torque > 4.0Ncm
 Loading ... Designed to support its own weight
 Weight ... Aluminium 600g, Stainless 1200g
 Temperature -20°C to +60°C

ELECTRICAL

Current consumption Max. 60mA
 Signal frequency 200KHz
 Switching load - Short circuit protected 40mA

FEATURES

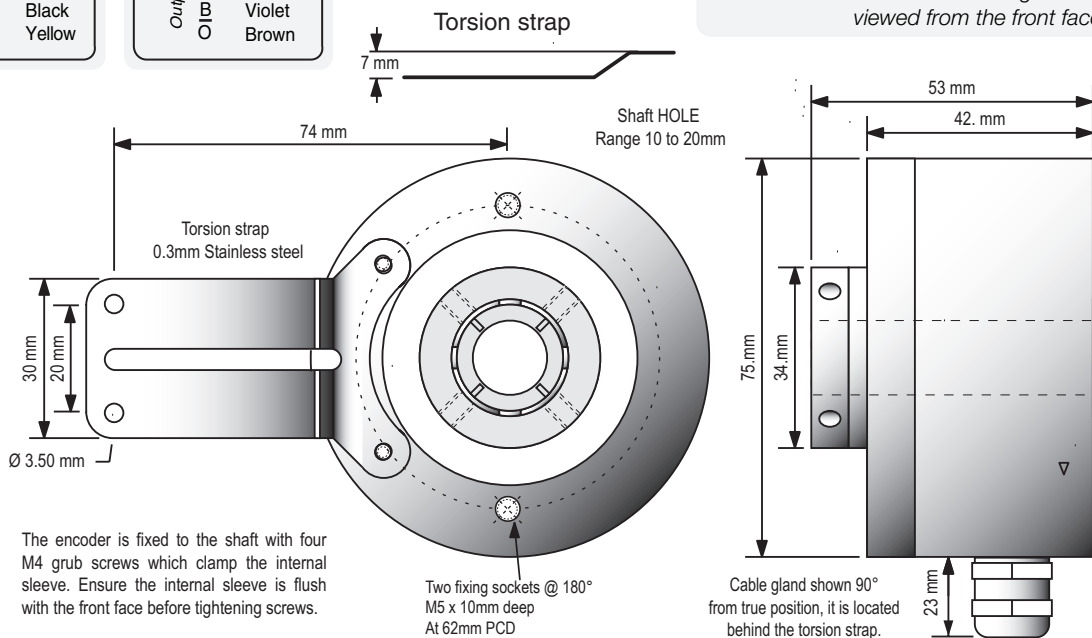
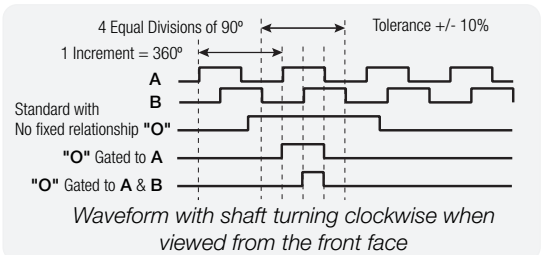
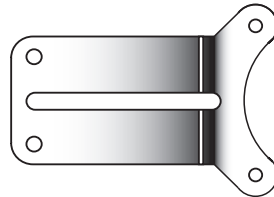
The IPHJ industrial encoders are designed for mounting directly onto the drive shaft of motors and other rotary shafts. The hollow shaft system eliminates the necessity for most additional fixing hardware, such as flexible couplings, drive belts and mounting plates or brackets.

To mount a hollow shaft encoder simply slide the encoder onto the drive shaft, tighten the set screws and attach a simple torsion arm to prevent the encoder body from rotating.

NOTE: To ensure the correct heat transfer, make sure the shaft penetrates the encoder by no less than 35mm

Black Cable (Standard)	
Function	Wire
0 Volts	Blue
+ Volts	Red
Output Signals	
A	White
B	Pink
O	Violet
A	Brown
B	Black
O	Yellow

Red Cable (old version)	
Function	Wire
0 Volts	Black
+ Volts	Red
Output Signals	
A	White
B	Blue
O	Yellow
A	Green
B	Violet
O	Brown



The encoder is fixed to the shaft with four M4 grub screws which clamp the internal sleeve. Ensure the internal sleeve is flush with the front face before tightening screws.

Part Number Selection Guide

Series				Mechanical Options				Electrical Options				Increment Range			
1	2	3	4	5	6	7	8	9	10	11	12	00001 to 05000			
I	P	H	J				S								
Stainless Steel Shaft Hole Hole 10 to 20mm Standard 10, 12, 14, 16, 18, 20								Voltage & Output Type 5 Volt Line Driver 1 8-30 Volt - Push Pull M							
Housing Material IP66/67 Aluminium J IP66/67 Stainless Steel .. T				Wiring Entry Side or Radial S				Output Options Standard NO gating. A							
Wiring Method Cable 2 Metres 2 Cable 5 Metres 3 Cable - Custom Length .. 4								Output Channels A, B, O 3 A, B, O, /A, /B, /O 7							

made by IED in the UK
 Sold and serviced in Australia by **PCA**