

INHJ Series

Incremental Hollow Shaft Encoder

Maximum Increments 25,000

Hole Diameter Range 6 to 18mm

MECHANICAL SPECIFICATIONS

RPM Max. 6000
 Torque > 4Ncm
 Loading Axial 40N, Radial 30N
 Weight ... Plastic 200g, Al 380g, Stainless 730g
 Temperature -20°C to +70°C

ELECTRICAL

Current consumption Max. 40mA
 Signal frequency 300kHz
 Switching load - Short circuit protected 40mA

FEATURES

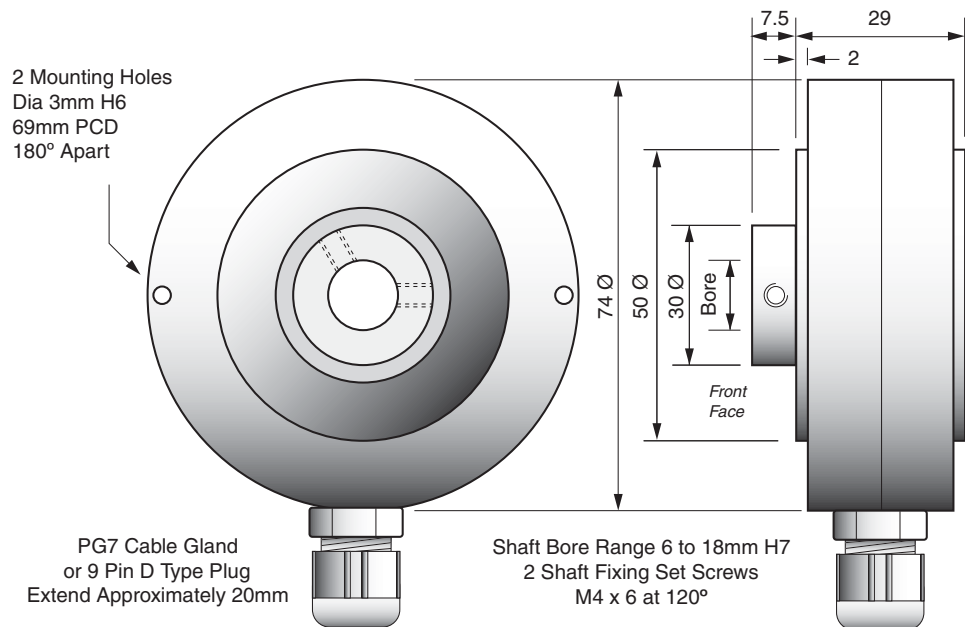
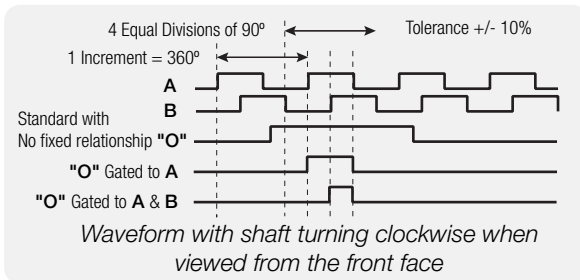
The INHJ industrial encoders are designed for mounting directly onto the drive shaft of motors and other rotary shafts. The hollow shaft system eliminates the necessity for most additional fixing hardware, such as flexible couplings, drive belts and mounting plates or brackets.

To mount a hollow shaft encoder simply slide the encoder onto the drive shaft, tighten the set screws and attach a simple torsion arm to prevent the encoder body from rotating.

PCA AUS		
Function	Plug Pin	Wire
0 Volts	1	Black
+ Volts	2	Red
Output Signals	A	3 White
	B	4 Blue
	O	5 Yellow
	A	6 Green
	B	7 Violet
	O	8 Brown

W+S		
Wire	Plug Pin	Output Signals
White	1	0 Volts
Brown	2	+ Volts
Green	3	A
Yellow	4	B
Gray	5	O
Pink	6	A
Blue	7	B
Red	8	O

Alternate German Wiring for some encoders not made in Australia



Part Number Selection Guide

Series				Mechanical Options				Electrical Options				Increment Range			
1	2	3	4	5	6	7	8	9	10	11	12	00001 to 25,000			
I	N	H	J	□	□	□	S	□	□	□	□	□	□	□	□
Stainless Steel Shaft Hole Hole 06 to 18mm Standard .. 10, 12,								Voltage & Output Type 5 Volt Line Driver 1 8-30 Volt - Push Pull M							
Housing Material IP65 Aluminium H IP65 Stainless Steel R IP54 Plastic 2				Wiring Entry Side or Radial S				Output Options Standard NO gating..... A							
Wiring Method Cable 2 Metres 2 Cable 5 Metres 3 Cable - Custom Length .. 4 # Plug 9 Pin D Type H Plug 12 Pin Metal L				#IP54 Only				Output Channels A, B, O 3 A, B, O, A̅, B̅, O̅ 7							

A product of the world wide GESgroup
 made by W+S Germany
 Sold and serviced in Australia by PCA