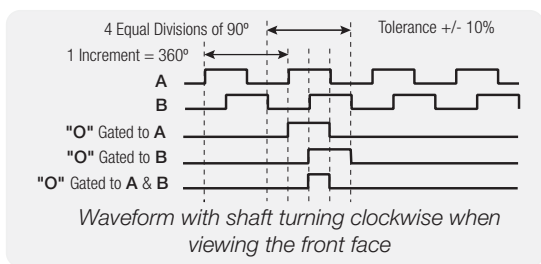


# INSG Series

## Incremental Shaft Encoder

Maximum Increments . . . . . 10,000

Shaft Diameter . . . . . 10mm



### MECHANICAL SPECIFICATIONS

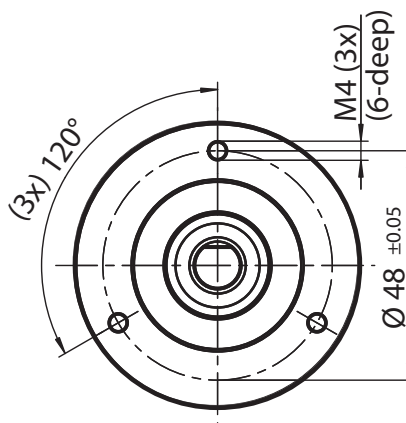
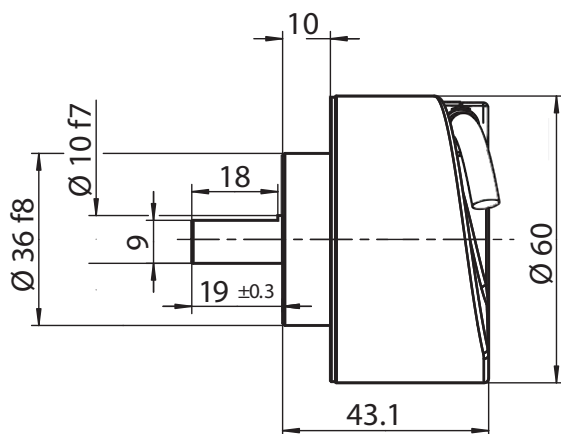
RPM . . . . . Max. 9000  
Torque . . . . . 0.6 Ncm  
Loading radial . . . . . 80N  
Loading axial . . . . . 40N  
Weight . . . . . 300g  
Temperature . . . . . -20°C to +100°C

### ELECTRICAL

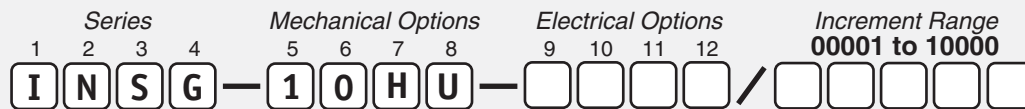
Current consumption . . . . . Max. 60mA  
Signal frequency . . . . . 600kHz  
Switching load - Short circuit protected . . . . 40mA



Function	Plug Pin	Wire
0 Volts	1	Blue
+ Volts	2	Red
Output Signals A	3	White
B	4	Pink
O	5	Purple
A	6	Brown
B	7	Black
O	8	Yellow



### Part Number Selection Guide



**Stainless Steel Shaft Hole**  
Shaft . . . . . 10mm

**Housing Material**  
IP65 Aluminium . . . . . H

**Wiring Method**

Cable 2 Metres . . . . . 2  
Cable 5 Metres . . . . . 3  
Cable - Custom Length . . . 4

**Wiring Entry**  
Universal . . . . . U  
Both Side and Rear

**Voltage & Output Type**  
5 Volt Out - 5 to 30V In . . . . E  
5-30 Volt - Push Pull . . . . . M

**Output Options**  
"O" Gated with A . . . . . B  
"O" Gated with B . . . . . C  
"O" Gated with A and B . . . . D  
Normally delivered as "D"

**Output Channels**  
A, B, O . . . . . 3  
A, B, O, A̅, B, O̅ . . . . . 7

made in Germany  
Sold and serviced in Australia by **PCA**