



### Accessories

#### 10028528 - 10m PUR Cable, 4pin, D-Coded, m



#### Characteristics of Head 1

Standards/Regulations	M12 Connector
Coding	D - Standard
Gender	Male
Number of Positions	04
Contact Surface Material	Ni/Au
Housing Material	TPU (Plastic)
Knurls Material	Zinc die-cast, nickel-plated
Contact Connection Method	N.A
Degree of Protection	IP67
Fixing Torque	0.4 Nm (M12 Connector)

#### Cable Specifications

Length of Cable	10.0 m
Outer SheathType	PUR
Outer Sheath Color	Water blue RAL 5021
Shielding	Braided + Foil Shielding
Material Conductor Insulation	PE
Conductor Cross Section (in sqmm)	2 x 2 x 0.14

Data Sheet

Printed at 25-06-2020 02:06

# POSITAL

## FRABA



Number of Leads	4 Leads
Twisted Pair	Yes
AWG Signal Line	AWG 26
External Cable Diameter	6.4 mm $\pm$ 0.2mm
Smallest Bending Radius - Fixed Installation	26.4 mm
Smallest Bending Radius - Movable Installation	52.8 mm
UL Style	UL 20963
Insulation resistance * (per km)	$\geq$ 500 M $\Omega$ *km
Conductor Resistance * (per km)	$\leq$ 290 $\Omega$ /km
Performance Category	CAT 5

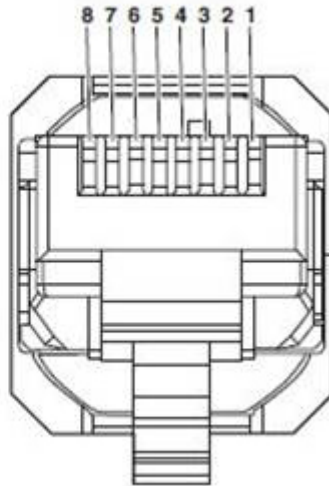
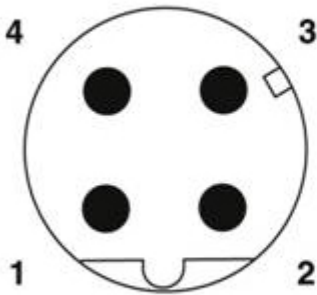
### Characteristics of Head 2

Standards/Regulations	RJ45 Connection
-----------------------	-----------------

### General Data

Ordering Code	10028528 - CBL-M12S-M04D-100EH-046Y-R45
Weight	480 g
Operating Temperature	-20°C (-4°F) to 80°C (176°F)

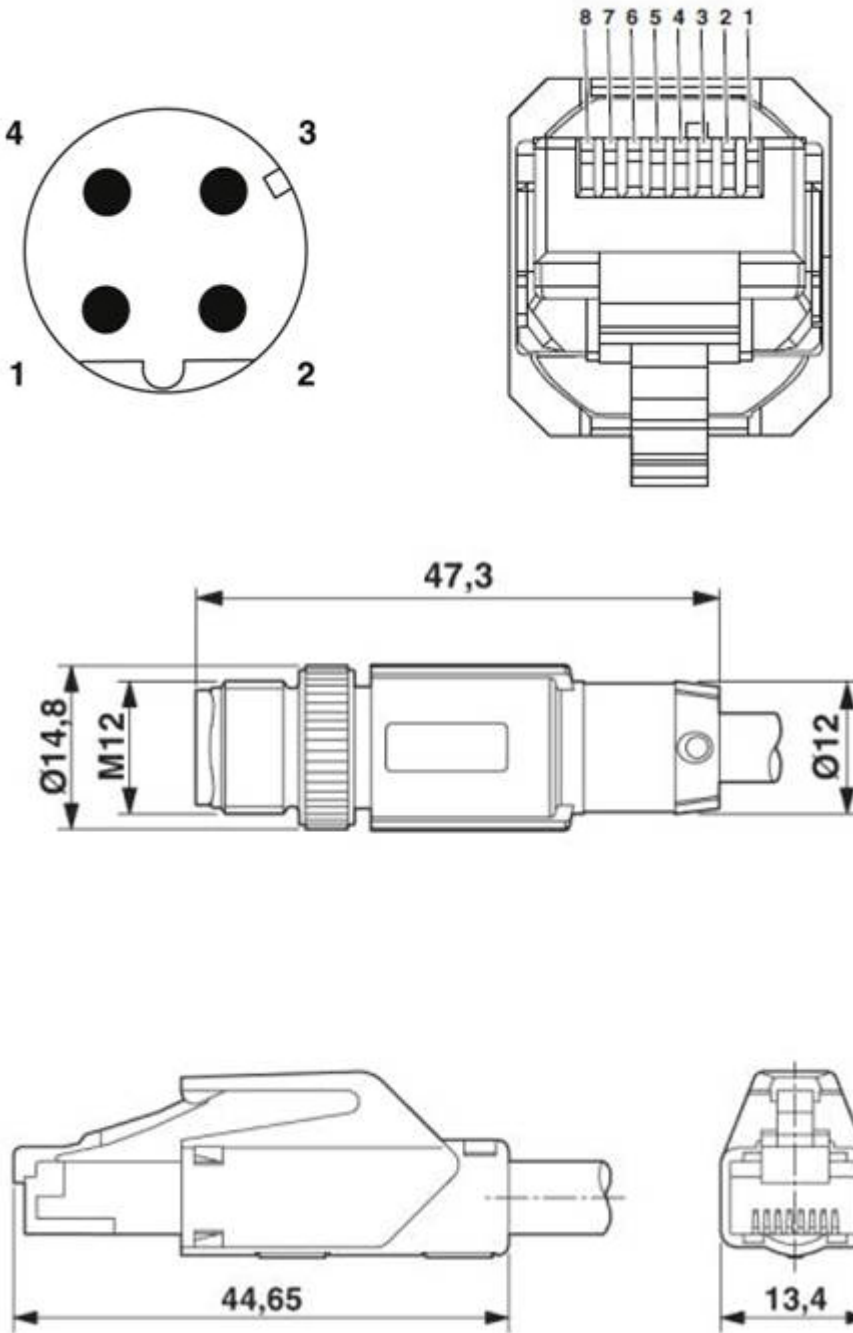
### Pin Assignment



### Contact Assignment

# POSITAL

## FRABA



Contact



Contact Us

Data Sheet  
Printed at 25-06-2020 02:06

# POSITAL

---

## FRABA



All dimension in [inch] mm. This drawing and the information contained is for general presentation purposes only. Please refer to the "Download" section for detailed technical drawings. © FRABA B.V., All rights reserved. We do not assume responsibility for technical inaccuracies or omissions. Specifications are subject to change without notice.