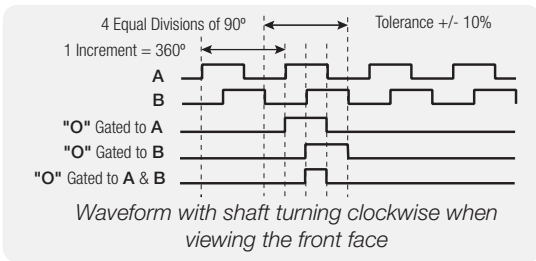


INSG Series

Incremental Shaft Encoder

Maximum Increments 65,536

Shaft Diameter 10mm



MECHANICAL SPECIFICATIONS

RPM Max. 9000

Torque 0.6 Ncm

Loading radial 80N

Loading axial 40N

Weight 300g

Temperature -20°C to +100°C

ELECTRICAL

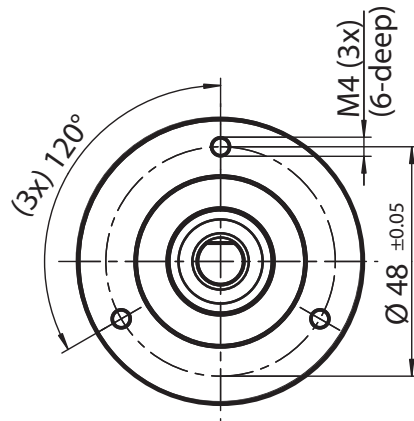
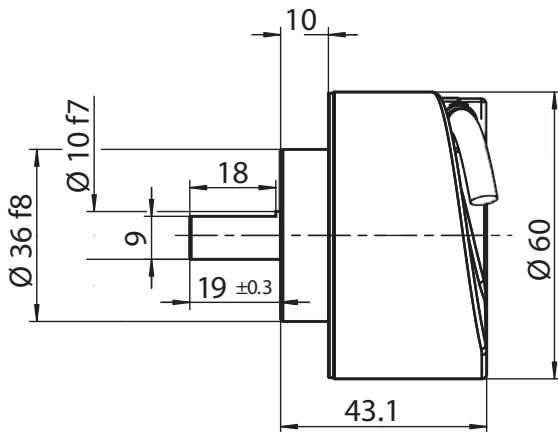
Current consumption Max. 60mA

Signal frequency 600kHz

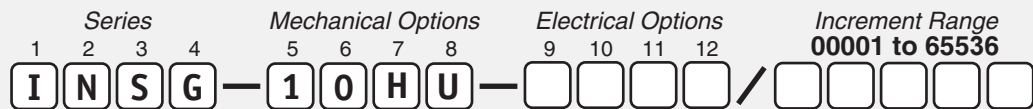
Switching load - Short circuit protected 40mA



Function	Plug Pin	Wire
0 Volts	1	Blue
+ Volts	2	Red
Output Signals A	3	White
B	4	Pink
O	5	Purple
A	6	Brown
B	7	Black
O	8	Yellow



Part Number Selection Guide



Stainless Steel Shaft Hole
Shaft 10mm

Housing Material
IP65 Aluminium H

Wiring Method

- Cable 2 Metres 2
- Cable 5 Metres 3
- Cable - Custom Length 4

Wiring Entry
Universal U
Both Side and Rear

Voltage & Output Type
5 Volt Out - 5 to 30V In E
5-30 Volt - Push Pull M

Output Options
"O" Gated with A B
"O" Gated with B C
"O" Gated with A and B D
Normally delivered as "D"

Output Channels
A, B, O 3
A, B, O, A, B, O 7

made in Germany
Sold and serviced in Australia by **PCA**