

INSH Series

Incremental Shaft Encoder

Maximum Increments 25,000

Shaft Diameter Range 10 to 12mm

MECHANICAL SPECIFICATIONS

Maximum RPM 6000
 Torque >0.1Nm
 Loading Axial 60N, Radial 50N
 Weight 450g
 Temperature -20°C to +70°C

FEATURES

The INSH encoders are suitable for most industrial applications. This series provides our highest increment option, 5,000 true A B phase signals. When used with appropriate circuitry, 5,000 can deliver 20,000 processed signals per revolution.

ELECTRICAL

Current Consumption 40mA
 Maximum output signal frequency 300kHz

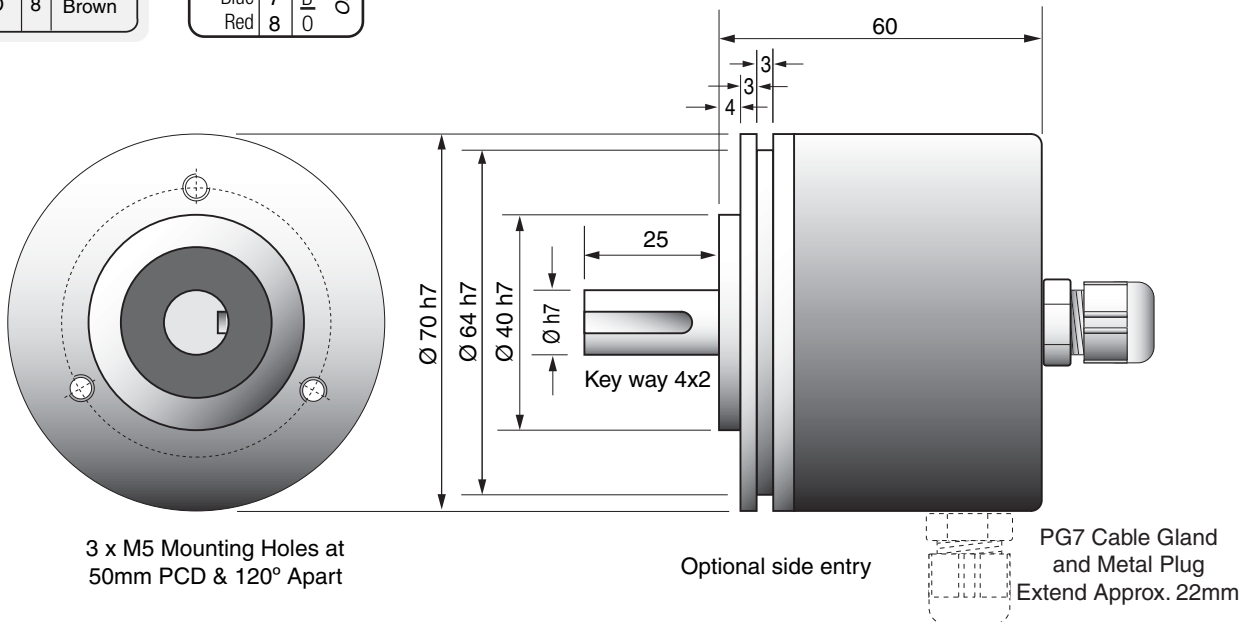
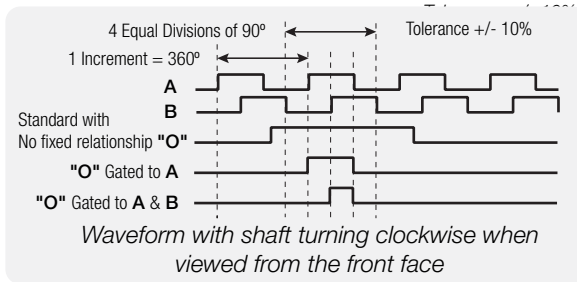
NOTE: Short circuit protection on all wires

A range of mounting accessories are also available, refer to the Accessories and Couplings data sheets for full details. NOTE: A flexible coupling must always be used to attach the encoder to the drive shaft.

PCA ^{AUS}		Plug Pin	Wire
0 Volts	1	Black	
+ Volts	2	Red	
Output Signals	3	White	A
A	4	Blue	B
B	5	Yellow	O
O	6	Green	A
A	7	Violet	B
B	8	Brown	O

W+S		Plug Pin	Wire
0 Volts	1	White	
+ Volts	2	Brown	
Output Signals	3	Green	A
A	4	Yellow	B
B	5	Gray	O
O	6	Pink	A
A	7	Blue	B
B	8	Red	O

Alternate German Wiring for some encoders not made in Australia



Part Number Selection Guide

Series				Mechanical Options				Electrical Options				Increment Range 00001 to 25,000			
1	2	3	4	5	6	7	8	9	10	11	12				
I	N	S	H	□	□	H	□	□	□	A	□	/	□	□	□
Stainless Shaft Shaft 10 or 12mm								Voltage & Output Type 5 Volt Line Driver 1 8-30 Volt - Push Pull M							
Housing Material IP65 Aluminium H								Output Options Standard NO gating..... A							
Wiring Method Cable 2 Meters 2 Cable 5 Meters 3 Cable - Custom Length .. 4 Plug 4 Pin Plastic A Plug 12 Pin Metal L								Output Channels A, B (4 Pin Plug only) 2 A, B, O 3 A, B, O, A, B, O 7							
Wiring Entry Rear or Axial R Side or Radial S								A product of the world wide GESgroup made by W+S Germany Sold and serviced in Australia by PCA							